



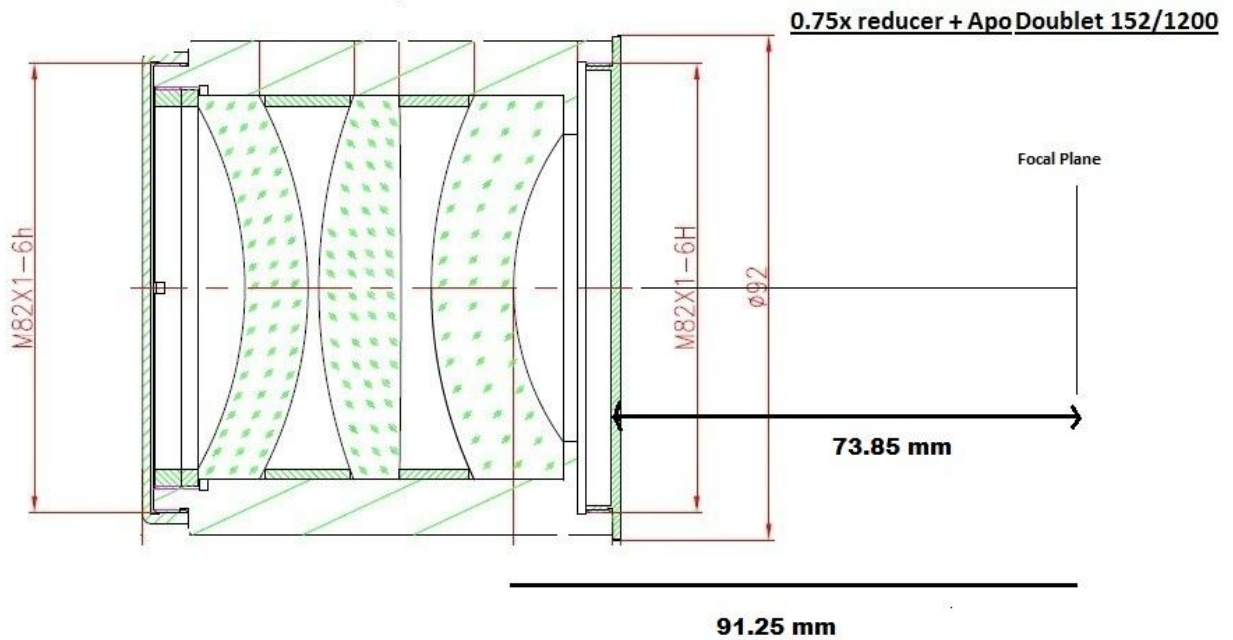


ApoDoublet 152/1200 + 0.75x Reducer

Off-Axis Distance

<u>Off-Axis Distance</u>		<u>RMS spot-radius</u>	<u>Vignett. %</u>
0.00 MM		5 microns	0
14.00 MM		6.5 microns	0
21.00 MM		8.7 microns	3
26.00 MM		10.1 microns	26

WL range 470-670 nm



Flattener-Focal Plane Distance (BFL) = 130 mm