



KL400 Cooled Scientific CMOS Cameras

The Ultimate in Sensitivity

KL400: 95% Peak QE, 1.6 e- Noise RMS

The Kepler KL400 sCMOS camera represents the first release in a new family of scientific CMOS cameras from Finger Lakes Instrumentation. The KL400 provides ultra-high sensitivity, ultra-low noise with high frame rates, all at a game-changing price to performance ratio.

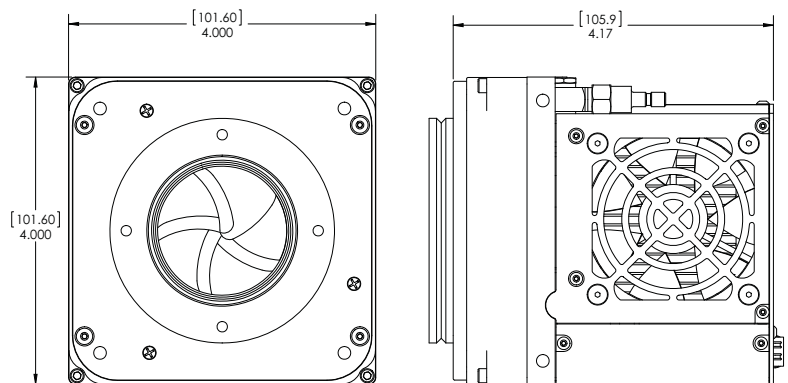
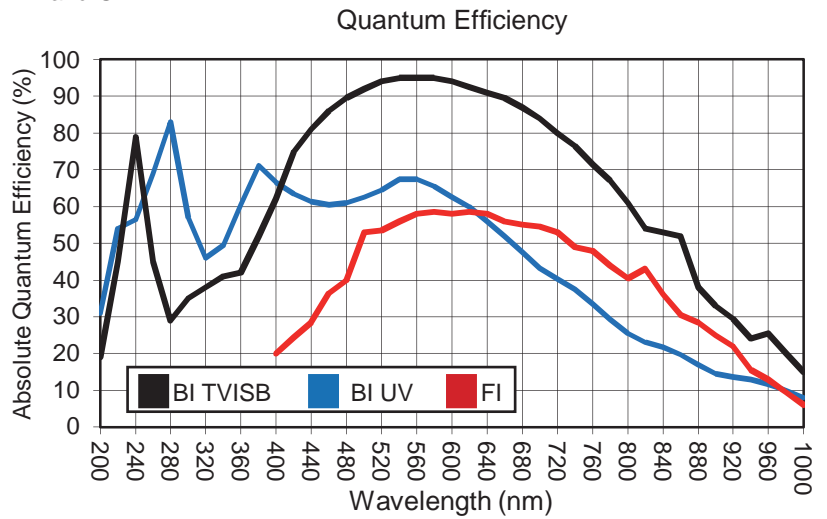


KL400 with Optional 45mm Shutter
Air & Liquid Cooling

Sensor Type	Front & Back illuminated
Shutter Type	Rolling
Active Pixels	2048 x 2048
Pixel Size (microns)	11 x 11
Effective Area	22.5 x 22.5 mm
Sensor Diagonal	31.9 mm
Full Well Capacity (e-)	120000 (FI) / 90000 (BI)
Frame rate (rolling)	48 fps
	24 fps HDR
Read Noise (rolling HDR) (e-)	1.5 (FI) / 1.6 (BI)
Dynamic Range (HDR)	96 dB (FI) / 93 dB (BI)
Peak QE	58% (FI) / 95% (BI)
Cooling	Air and Liquid ¹
Maximum Cooling (Air)	45°C Below Ambient
Dark Current @ -20C	0.2 eps (FI); 0.6 eps (BI)
Interface	USB 3.0
Interface (Optional)	SFP ²
Data Bit Depth ³	16 bit
Mount	F-mount
Video size	2.0"
Subarray Readout	Yes
Electromechanical Shutter	Optional 45mm
Ex Trigger In	Yes
Ex Trigger Out	Yes

Applications:

Orbital Debris Detection
Photocell Inspection
Forensic Sciences
Super-Resolution Microscopy
Confocal Microscopy
Light Sheet Microscopy
TIRF and GFP



¹ Liquid circulation connectors sold separately

² SFP = Small Form factor Pluggable: high speed fiber optic interface

³ 16-bit data merged from two 12 bit converters

Quality. Cooled. Cameras.

Finger Lakes Instrumentation LLC
www.flicamera.com · 1250 Rochester St. · Lima NY 14485 USA · 585-624-3760

©2018 Finger Lakes Instrumentation LLC