

4096 x 4096 Imaging Array Size 9 μm Pixel Size

At 3.7 x 3.7 x 5 inches the MicroLine is a small camera with big camera capabilities. Each component of the MicroLine camera is designed and manufactured for a long life in the most demanding conditions. MicroLine download speeds are fast yet maintain the 16-bit resolution necessary to produce high quality images. MicroLine achieves a minimum of 60° C sustainable cooling without water assist. Simply set the MicroLine cooling where you want it and the camera will do the rest, quickly and without worries.



MicroLine with a Fast 45mm Shutter

Applications

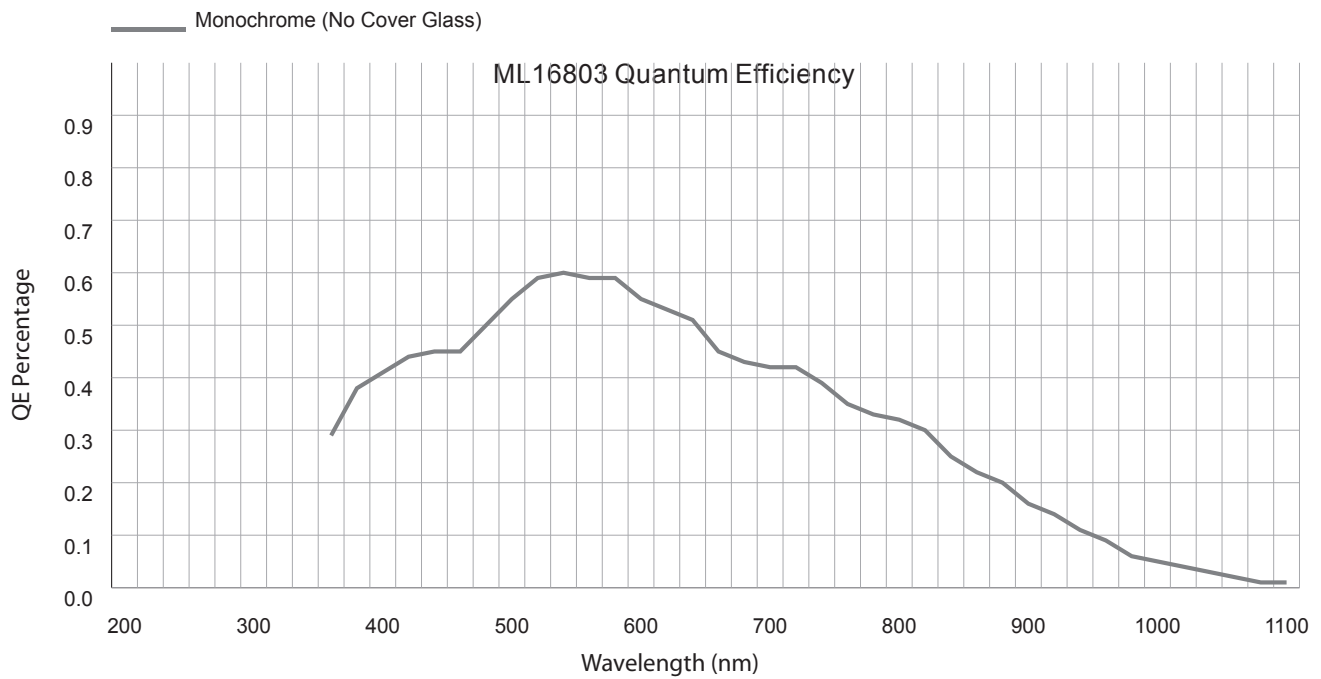
- | | |
|---------------------|-------------------------|
| Digital Radiography | Gel Documentation |
| Astronomy | Forensic Imaging |
| Bioluminescence | Satellite Imaging |
| Chemoluminescence | Low Light Level Imaging |

Features	Benefits
Up to 8 MHz Download Speed	Fast image capture with full 16-bit resolution
4096 x 4096 Array Size / 9 μm Pixel Size	Resolves fine detail
Flexible Binning and Readout	Increases frame rate
Thermoelectric Cooling to -55° C	Excellent low-noise imaging
Excellent Quantum Efficiency	High sensitivity
F-Mount Compatible	Offers a wide variety of optical choices
Acquisition Software	Supplied with camera and includes our open source SDK
USB 2.0 Interface	Industry standard connectivity, fast data transfer



Finger Lakes Instrumentation

Quality. Cooled. Cameras.



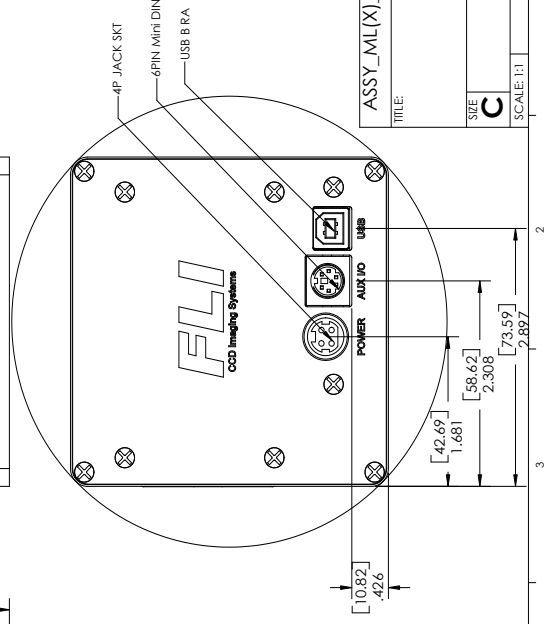
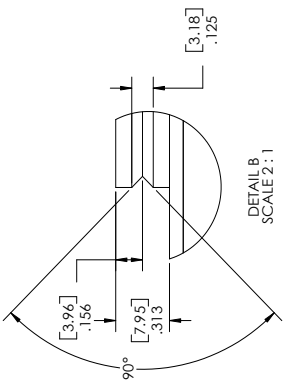
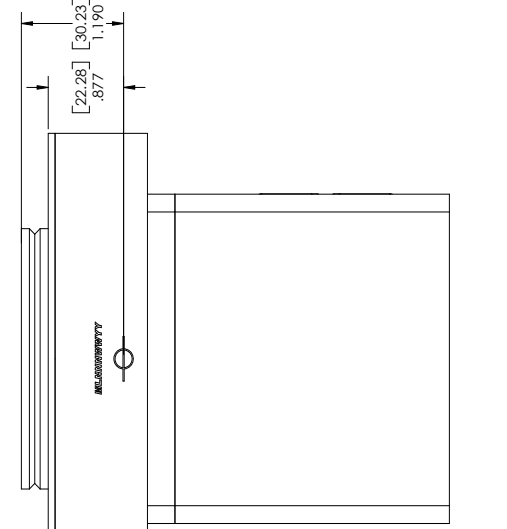
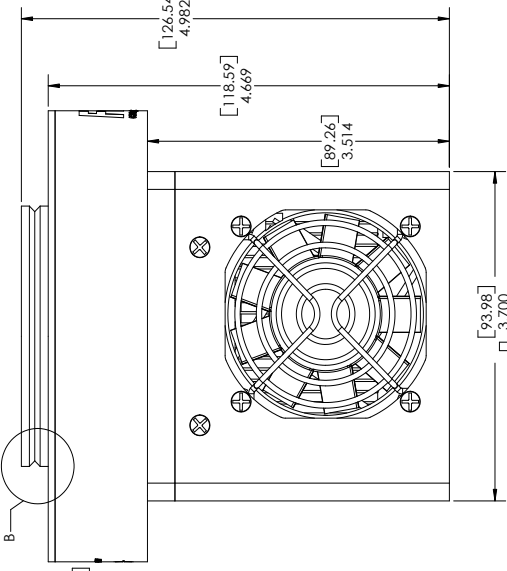
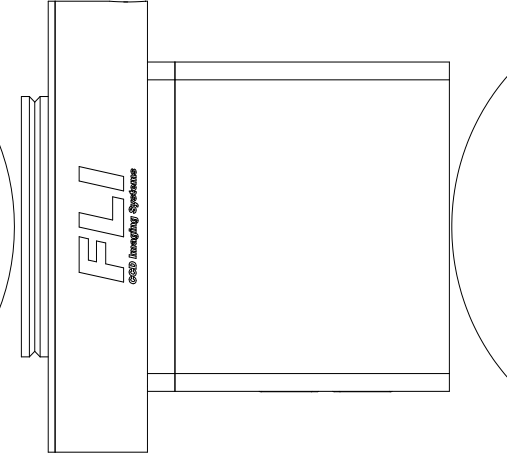
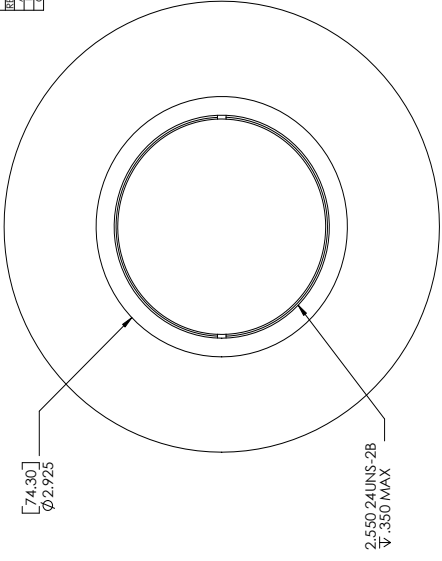
ML16803 Specifications	
Sensor	KAF-16803
Array Size	4096 x 4096
Pixel Size	9 μ m
Typical Minimum Cooling	-55° C Below Ambient
Typical Download Speeds @ 16-bit	1 MHz, 8 MHz (other speeds available)
Typical System Noise	9 e- RMS @ 1 MHz
Nonlinearity	<1%
Temperature Stability	0.1° C
Operating Environment	-30° C - 45° C 10% - 90% Relative Humidity
Sensor Manufacturer	Kodak
CCD Grades Available	Standard
CCD Type	Front Illuminated
Color/Monochrome	Monochrome
Mega Pixels	16.8
Sensor Diagonal	52.1 mm
Linear Full Well	100,000 e-
Typical Dark Current	<0.02 e-/pixel/sec. @ -30° C
Blooming Protection	> 100X Saturation Exposure
Available Shutters	65 mm
Shutter MTBF	1,000,000
Remote Triggering	Standard
Power	12v
Interface	USB 2.0
Dimensions	3.70 x 3.70 x 4.77 (94 x 94 x 121.3)

* Due to continuous development all specifications subject to change



Quality. Cooled. Cameras.

REV	DESCRIPTION	DATE
1	CHG TO 1.5" LENS LOCUS	10/20/09
2	ADD LENS TO FRONT COVER	4/29/09
3	MODIFY FIT & FINISH	3/20/10



TITLE		ASSY_ML(X)_65MM_AC
SHEET	REV	C
SCALE: 1:1		SHEET 1 OF 1